

## BISHERIGE HOSE: Kempa Curve Shorts

Coll.: 2016

Art. No.: 20 03062

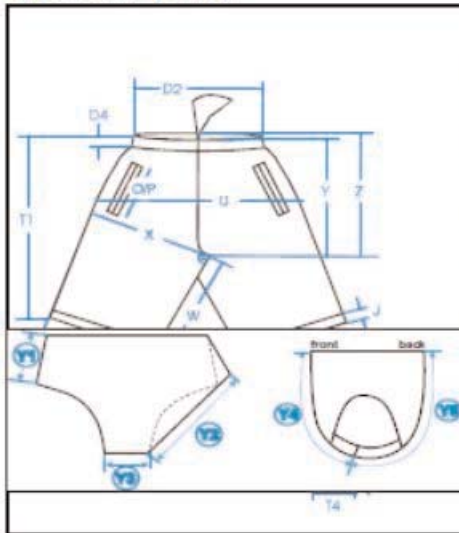
Article: CURVE Shorts

S

### MEASUREMENTS FOR FINISHED GARMENT (all measurements in cm!)

Measurement sketch

Measurement chart



		SIZES					Tol.
		116	128	140	152	164	+/-
D2	1/2 waistband width	24	26	28	30	32	1
U	1/2 hip width (at 1/2 front rise)	41	44	47	49	51	1
V	1/2 leg border	18	20	22	24	26	1
D4	waistband height	3,5	3,5	3,5	3,5	3,5	0,5
T1	side length shorts/pants	33	35	37	39	41	1
X	1/2 upper thigh width	24,5	26,5	28,5	30,5	32,5	1
Y	front rise (incl. waistband)	23	24,5	26	27,5	29	0,5
Z	back rise (incl. waistband)	28,5	31	33,5	36	38,5	0,5
R2	visible drawstring length	14	14	14	14	14	0,5

meas chart is valid for production!

## NEUE HOSE: Kempa Player Shorts

Coll.: 2016

Article: Player 23\_shorts\_kids

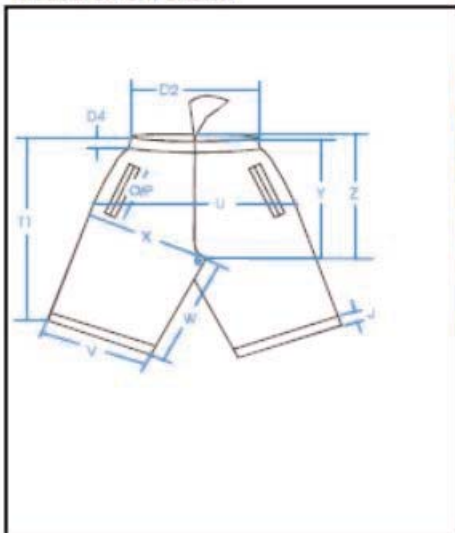
Size: 104-164

Ds

### MEASUREMENTS FOR FINISHED GARMENT (all measurements in cm!)

Measurement sketch

Measurement chart



		SIZES						Tol.
		104	116	128	140	152	164	+/-
D2	1/2 waistband width	22	24	26	28	30	32	1
U	1/2 hip width (at 1/2 front rise)	38	41	44	47	49	51	1
V	1/2 leg border	16,5	18,5	20,5	22,5	24,5	26,5	1
D4	waistband height	3,5	3,5	3,5	3,5	3,5	3,5	0,5
T1	side length shorts/pants	31	33	35	37	39	41	1
X	1/2 upper thigh width	22,5	24,5	26,5	28,5	30,5	32,5	1
Y	front rise (incl. waistband)	21,5	23	24,5	26	27,5	29	0,5
Z	back rise (incl. waistband)	27,5	28,5	31	33,5	36	38,5	0,5
R2	visible drawstring length	14	14	14	14	14	14	0,5
	no slip inside							

meas chart is valid for production!

## BISHERIGE HOSE: Kempa Curve Shorts

Coll.: 2016

Art. No.: 20 03062

Article: CURVE Shorts Size: S - XXXL

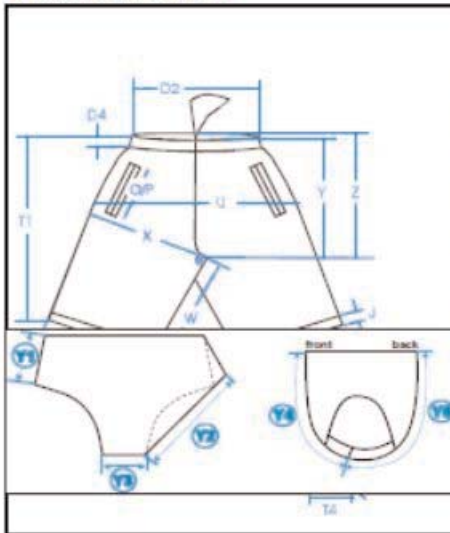
Date: 19.06.2013/aur

10.07.2015/aur

### MEASUREMENTS FOR FINISHED GARMENT (all measurements in cm!)

Measurement sketch

Measurement chart



	SIZES	S	M	L	XL	XXL	XXXL	Tol. +/-
D2	1/2 waistband width	33	36	38	40	42	44	1
U	1/2 hip width (at 1/2 front rise)	53	56	58	60	62	64	1
V	1/2 leg border	27,5	29,5	31	32	33	33	1
D4	waistband height	3,5	3,5	3,5	3,5	3,5	3,5	0,5
T1	side length shorts/pants	45	47	49	51	53	55	1
X	1/2 upper tight width	33,5	35,5	37	39	40	42	1
Y	front rise (incl. waistband)	30	30	31	31	32	32	0,5
Z	back rise (incl. waistband)	39,5	39,5	41	41	42	42	0,5
R2	visible drawstring length	25	25	25	25	26	27	

meas chart is valid for production!

## NEUE HOSE: Kempa Player Shorts

Coll.: 2016

CREATOR

PLAYER 23 men

Size: S-5XL

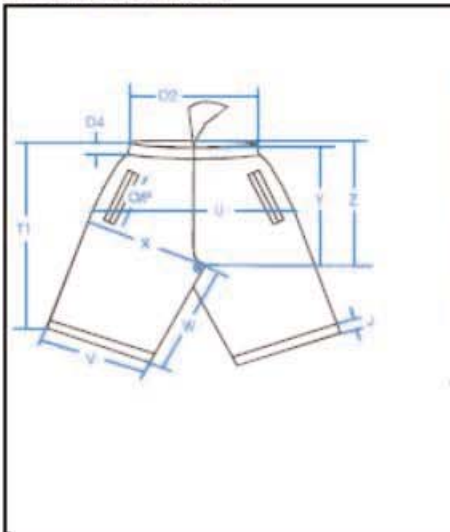
Date: 19.06.2013/aur 10.07.2015/aur

revised 13.08.2109/ssc

### MEASUREMENTS FOR FINISHED GARMENT (all measurements in cm!)

Measurement sketch

Measurement chart



	SIZES	S	M	L	XL	XXL	XXXL	4XL	5XL	Tol. +/-
D2	1/2 waistband width	33	36	38	40	42	44	46	49	1
U	1/2 hip width (at 1/2 front rise)	53	56	58	60	62	64	66	69	1
V	1/2 leg border	27,5	29,5	31	32	33	33	35	38	1
D4	waistband height	3,5	3,5	3,5	3,5	3,5	3,5	3,5	3,5	0,5
T1	side length shorts/pants	45	47	49	51	53	55	56	56	1
X	1/2 upper tight width	33,5	35,5	37	39	40	42	44	47	1
Y	front rise (incl. waistband)	30	30	31	31	32	32	33	33	0,5
Z	back rise (incl. waistband)	39,5	39,5	41	41	42	42	43	43	0,5
R2	visible drawstring length	25	25	25	25	26	27	27	27	

meas chart is valid for production!